

FEATURE

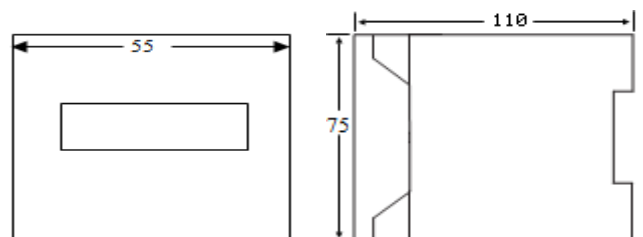
- User Selectable Trip Time
- Auto/Manual Reset Function
- True RMS Measurement
- Over/Under Voltage
- Over/Under Frequency
- Single Phase Prevention
- Unbalance

SPECIFICATION

AUXILIARY SUPPLY		INPUT	
Supply voltage	100 to 250V AC, 50-60Hz	Direct Voltage AC	30 to 300V (L - N) 50 to 500V (L - L)
Power consumption (VA RATING)	Approx. 4 VA @ 230V AC MAX	Burden	< 0.2VA
ENVIRONMENT CONDITION		TIME PARAMETER	
Operating Temp.	0°C to 55°C	Power On Delay	5 to 99 Sec
Relative Humidity	UP to 95% RH (non-condensing)	Initial Time Delay	1 to 99 Sec
Protection Level	IP-65 (Front side) As per IS/IEC 60529 : 2001	Trip Delay Time (Voltage, Frequency, SSP, Unbalance)	1 to 999 Sec
OUTPUT SPECIFICATION		Scrolling Time	1 to 99 Sec
Relay/SSR	1 Nos	Reset Time	0 to 99 Sec
Rating	1-Relay (230V AC-10A)	DIMENSION	
DISPLAY		Size (mm)	75(H) X 55(W) X 110(D)
3 Digit Seven Segment 0.39", RED LED		Panel Cutout	Din Rail

Key Operations:

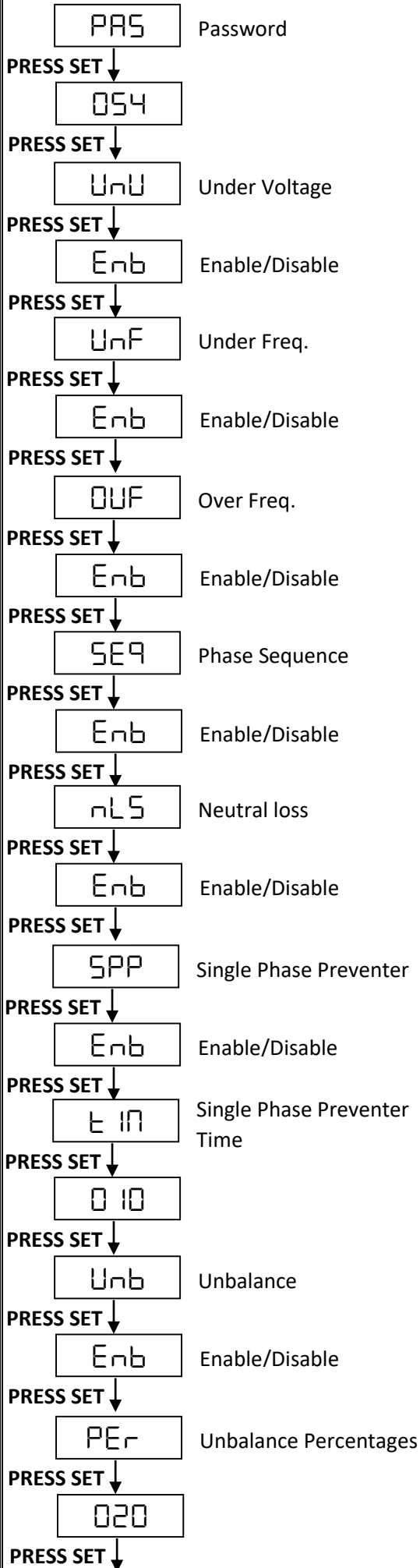
- Press SET Key 2 sec. to enter in programming mode.
- Press SET Key to go to next parameter.
- Use Up Or Down key to change value of parameter.
- Press ENT Key to save change in setting & Exit.



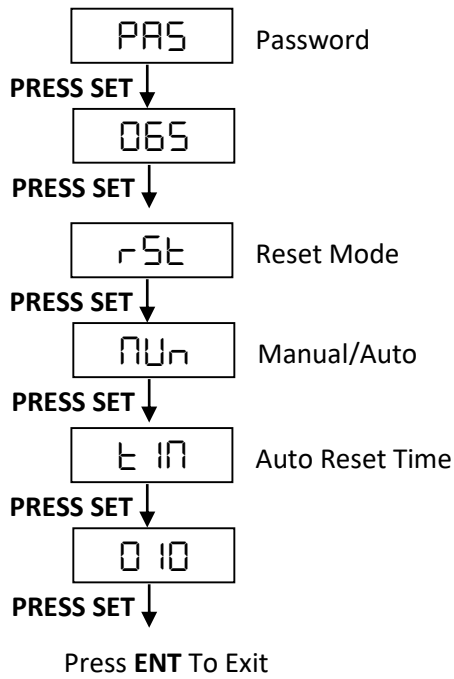
Fault Message

Over Voltage (OUU)	Single Phase Preventer(SPP)
Under Voltage (UnU)	Unbalance (Unb)
Over Frequency (OUF)	Phase Sequence (SEQ)
Under Frequency (UnF)	Neutral Loss(nLS)

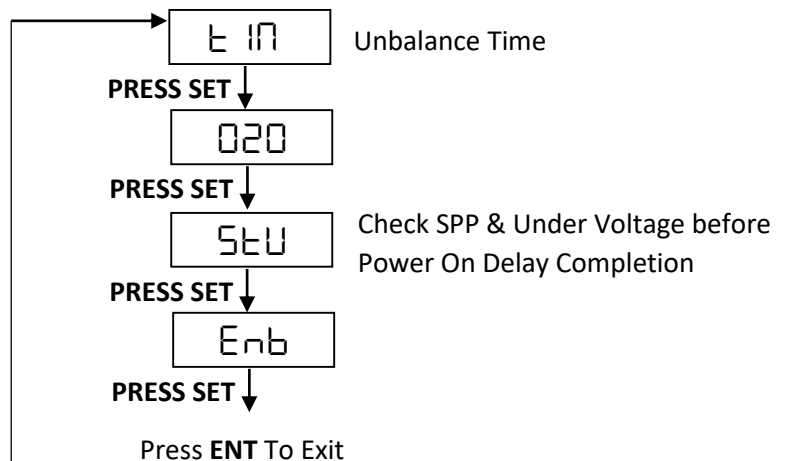
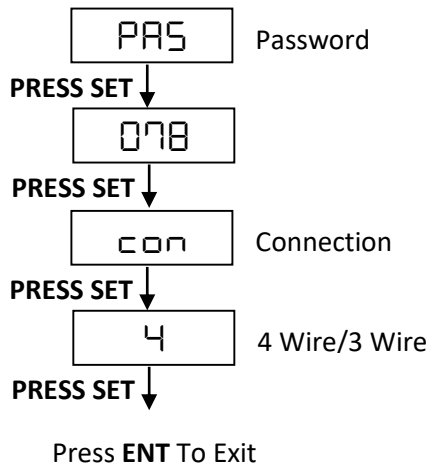
Parameter Menu



Reset Mode Selection:



3Ø-4Wire/3Ø-3Wire



Configuration Menu

