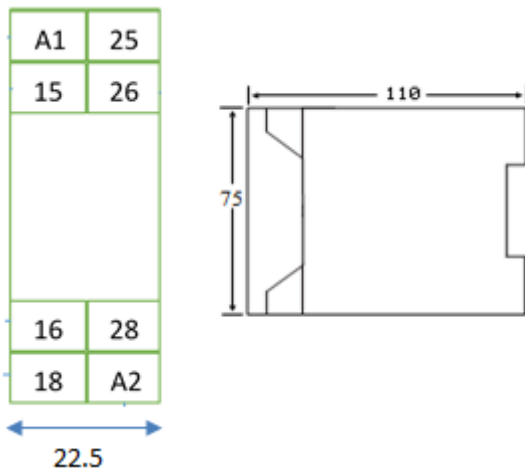


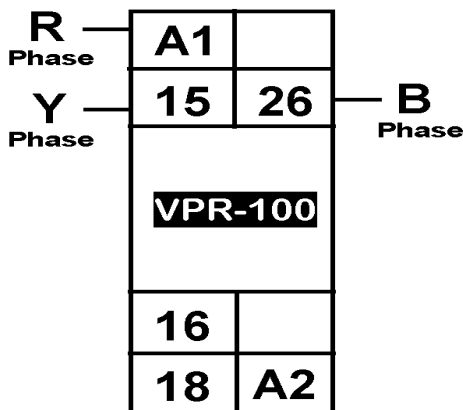
### Tripping Parameters:

- Under voltage
- Over voltage
- Phase asymmetry
- Phase sequence
- Phase loss

### Dimension:

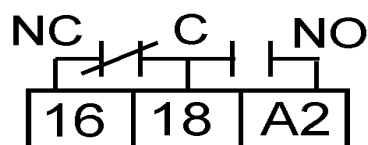


### Terminal Connection:



### Contact Rating:

5A, 230VAC (Res.)



### INPUT Voltage:

280 to 520VAC (L-L)  
 3-Phase - 3W

### LED Indications:

<b>F-LED</b>	<b>UV/OV LED</b>
OFF: Healthy	OFF: Healthy
RED: PL	RED: UV
Blinking: PA	Blinking: OV
YELLOW: PS	

### FUNCTION:

Phase Loss < 280VAC (L-L)  
 Phase Asymmetry  $\geq 40V$  Fix  
 Hysteresis: 6V Fix  
 Rated Voltage: 415VAC (L-L)

### Delay Time:

Power ON & Trip Delay: 5 Sec.  
 PS, PL: < 200ms  
 Asymmetry: 5 Sec