

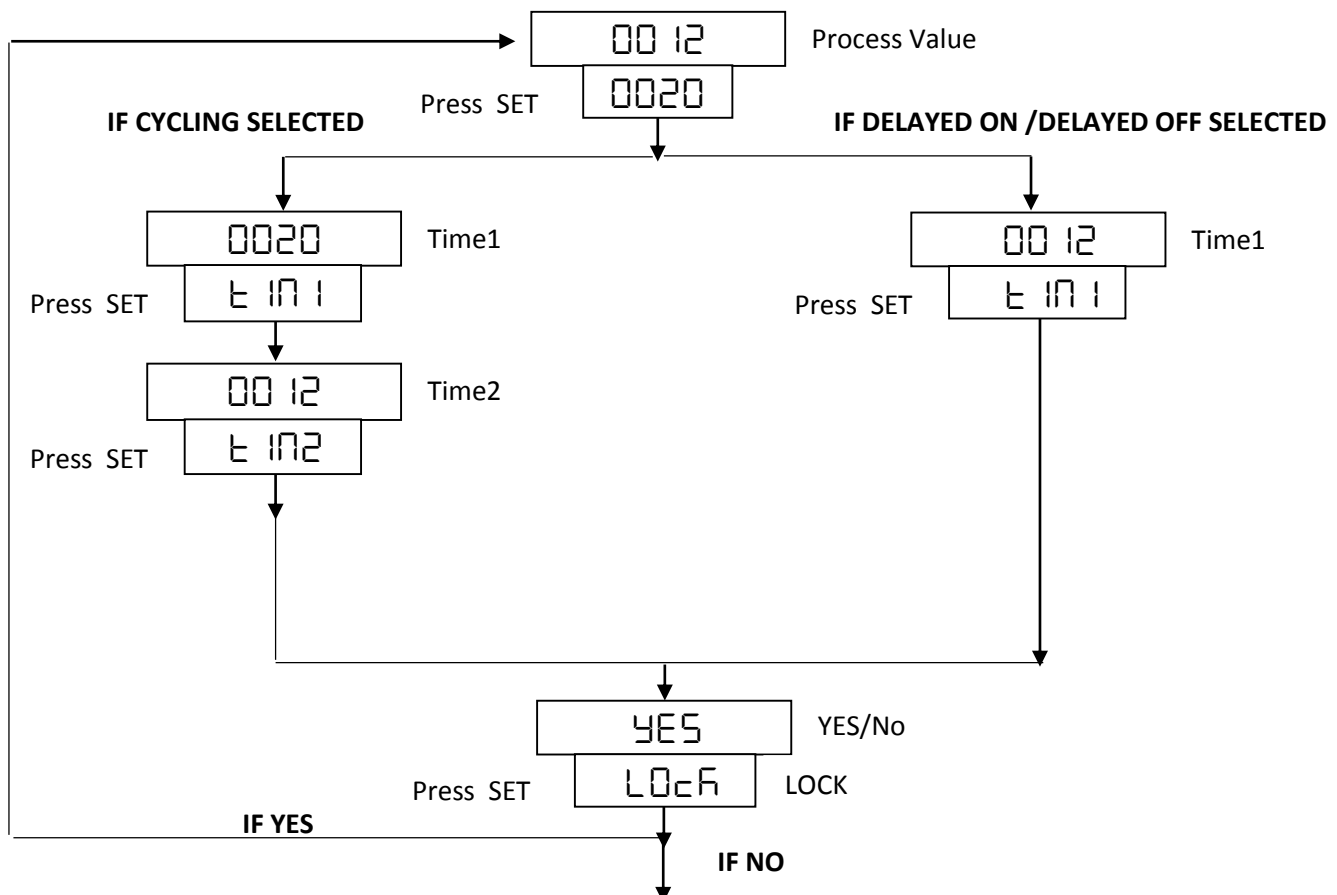
## Technical Specification:

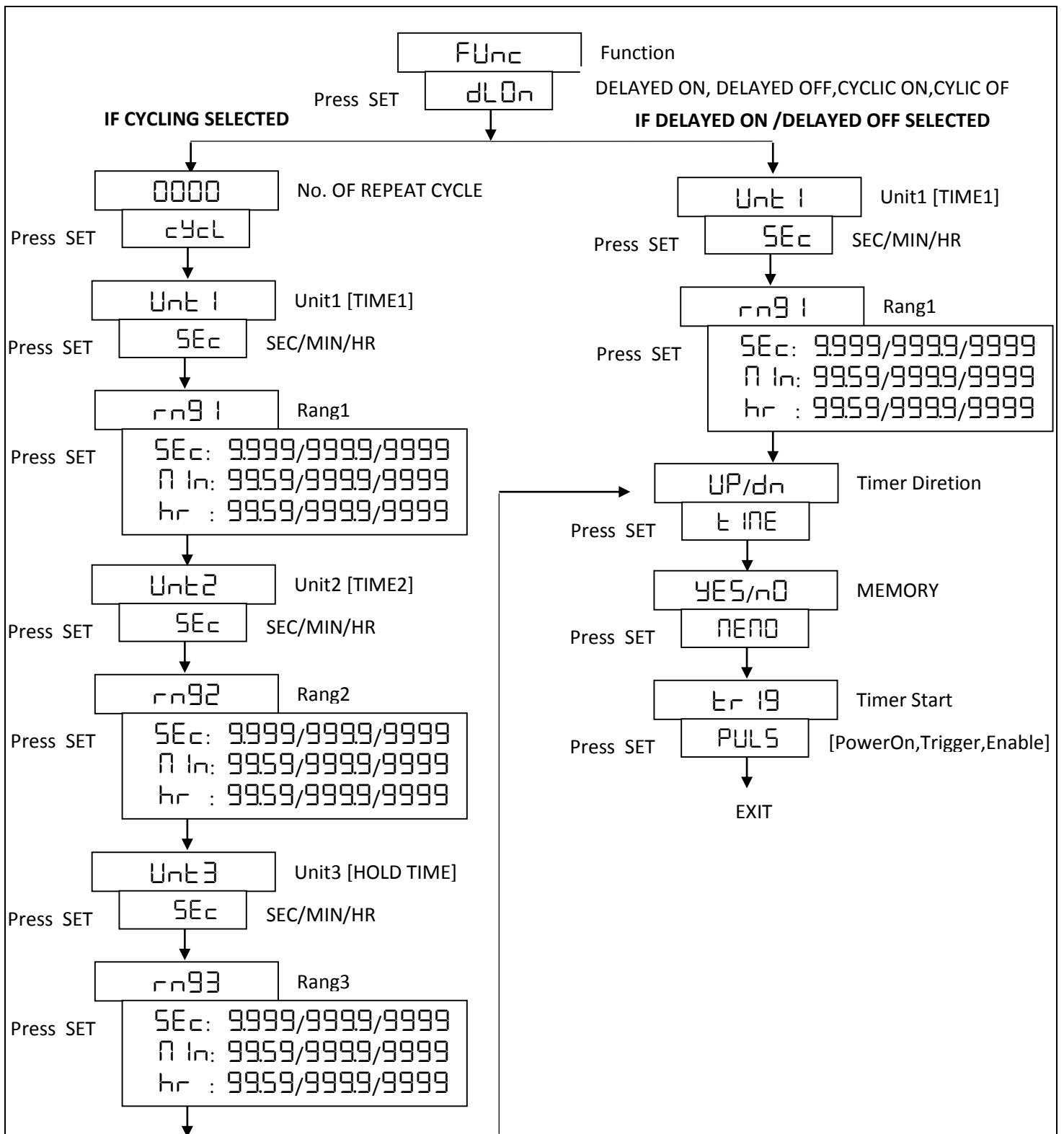
Model	UTR 9611	UTR 7211	UTR 4811
Size(HxWxD)	96 X 96 X 50 mm	72 X 72 X 85 mm	48X 48 X 95 mm
Panel Cut-out	92 X 92 mm	68x68 mm	44x44 mm
Display	UPPER:- 4 Digit 7 seg 0.56", Red LED Display LOWER:- 4 Digit 7 seg 0.40", Green LED Display		UPPER:- 4 Digit 7 seg 0.39", Red LED Display LOWER:- 4 Digit 7 seg 0.32", Green LED Display
Input	NPN/PNP Proximity & Micro Switch		
Output	1/2 Relay, 230V AC, 5A		
Supply	230V AC, 50 / 60 Hz, Approx. 4VA		
Protection Level	IP-65(Front side) AS per IS/IEC 60529:2001		
Operating Temperature	0°C To 55°C	Relative Humidity	Up to 95% RH Non Condensing

## Key Operations:

- Press **SET** Key to enter in programming mode.
- Press **SET** Key to go to next parameter.
- Use **UP (↑) Or SHIFT (←)** Key to change value of parameter. [**SHIFT (←)** key to go to next digit for changing value of the digit & **UP (↑)** key increases value of individual digit.]

## Parameter Menu:





- **In running mode**, upper display indicates current TIME value and lower display shows Set time value.
- Relay operation is according to selection of Delay ON (dLOn) or Delay OFF (dLOF).
  - Delay ON (dLOn): Initially Relay will be off, Relay will be on after completion of Time1.
  - Delay OFF (dLOF): Initially Relay will be on, Relay will be off after completion of Time1.
- **In Cycling mode:**
  - Relay will turn on for ON time (Time-1) & Relay will turn off for OFF time (Time-2) and this ON-OFF process will continue [**Cyclic-On Mode (CYOn)**: First On time then Off Time & ON-OFF process will continue. **Cyclic-OFF Mode (CYOF)**: First Off-time then On-time & OFF-ON Process will continue.]
  - No. OF REPEAT CYCLE (CYCL) is zero .Cycling process will infinite. If No. OF REPEAT CYCLE ≠ 0 then cyclic process stop after completion of No. OF REPEAT CYCLE.
  - If Hold Time ≠ 0 than cycling process restart after completion of hold time. If hold Time=0 than cycling process manually restart by Pressing RST Key.