

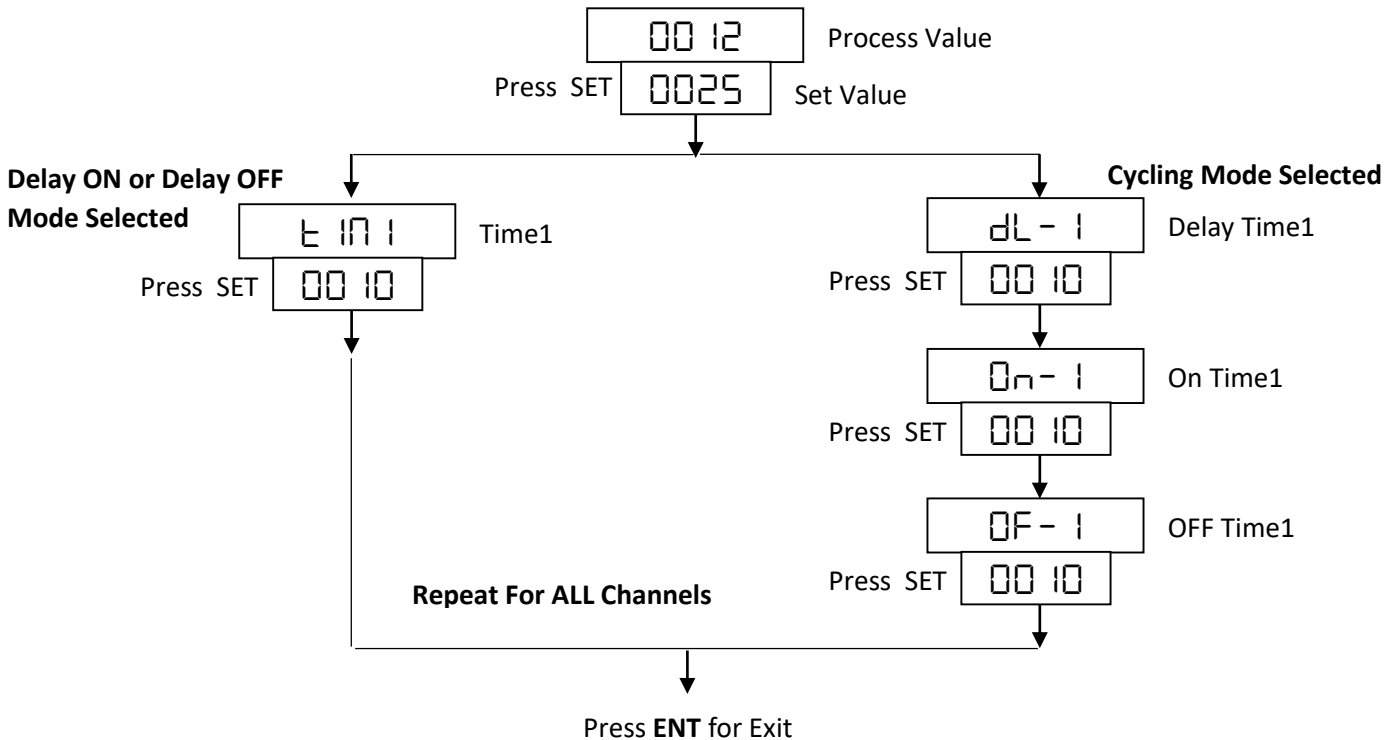
### Technical Specification:

Model	SQT 9611		
Size (HxWxD)	96 X 96 X 50 mm		
Panel Cut-out	92 X 92 mm		
Display	UPPER: 4 Digit Seven segment 0.56", Red LED LOWER: -4 Digit Seven segment 0.40", Green LED		
Input	Micro Switch		
Range	9.999 Sec., 99.99 Sec., 999.9Sec, 99.59 Min, 999.9 Min, 99.59 Hrs, 999.9Hrs		
Output	8 Relay, 230V AC, 5A		
Supply	100 to 250V AC, 50 / 60 Hz, Approx. 4VA		
Protection Level	IP-65(Front side) AS per IS/IEC 60529:2001		
Operating Temperature	0°C To 55°C	Relative Humidity	Up to 95% RH Non Condensing

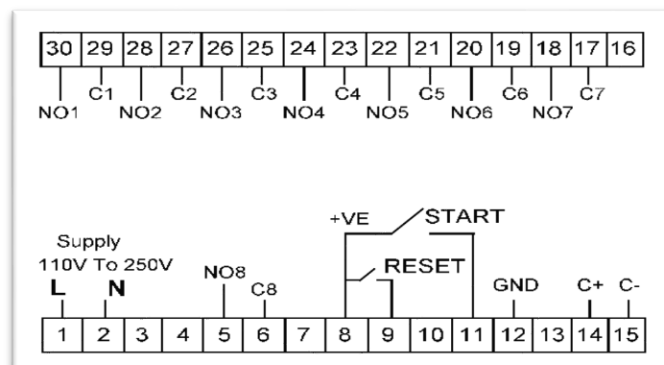
### Key Operations:

- Press **SET** Key to enter in programming mode.
- Press **SET** Key to go to next parameter.
- Use **UP (↑) Or SHIFT (←)** Key to change value of parameter. [**SHIFT (←)** key to go to next digit for changing value of the digit & **UP (↑)** key increases value of individual digit.]

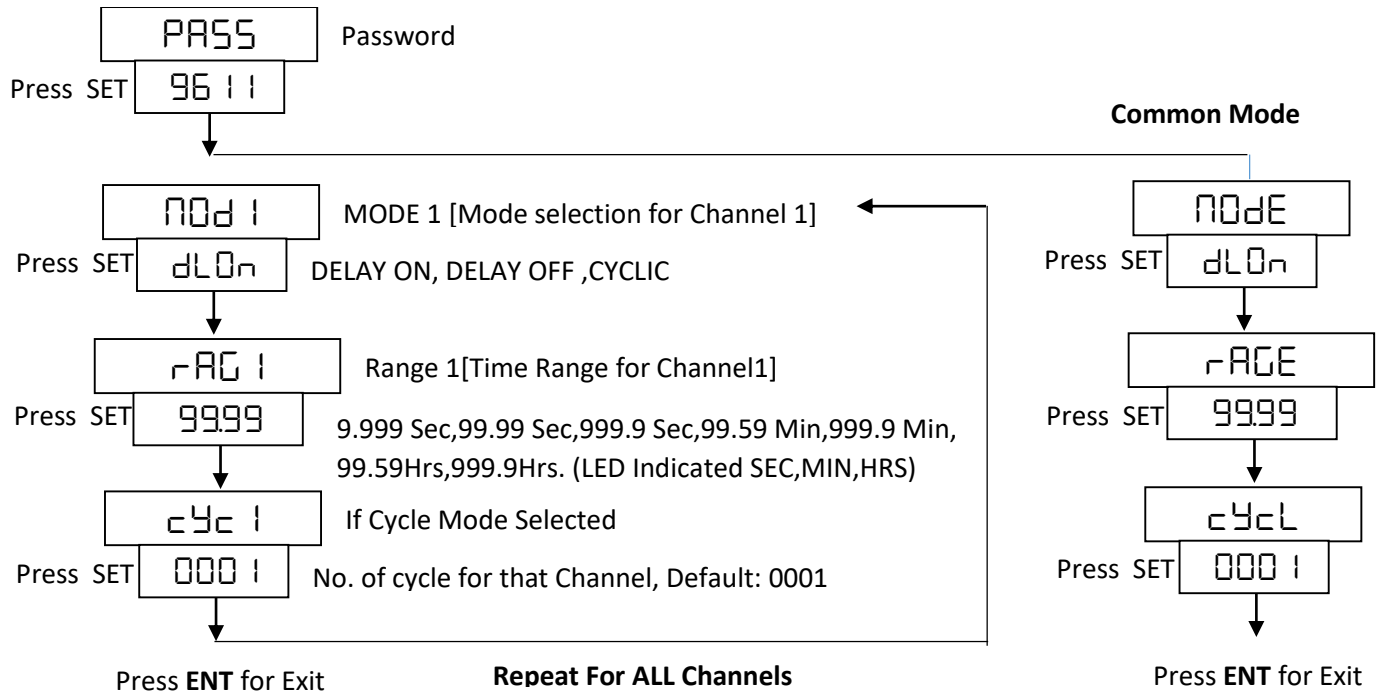
### Menu-1 [PRESS SET KEY]



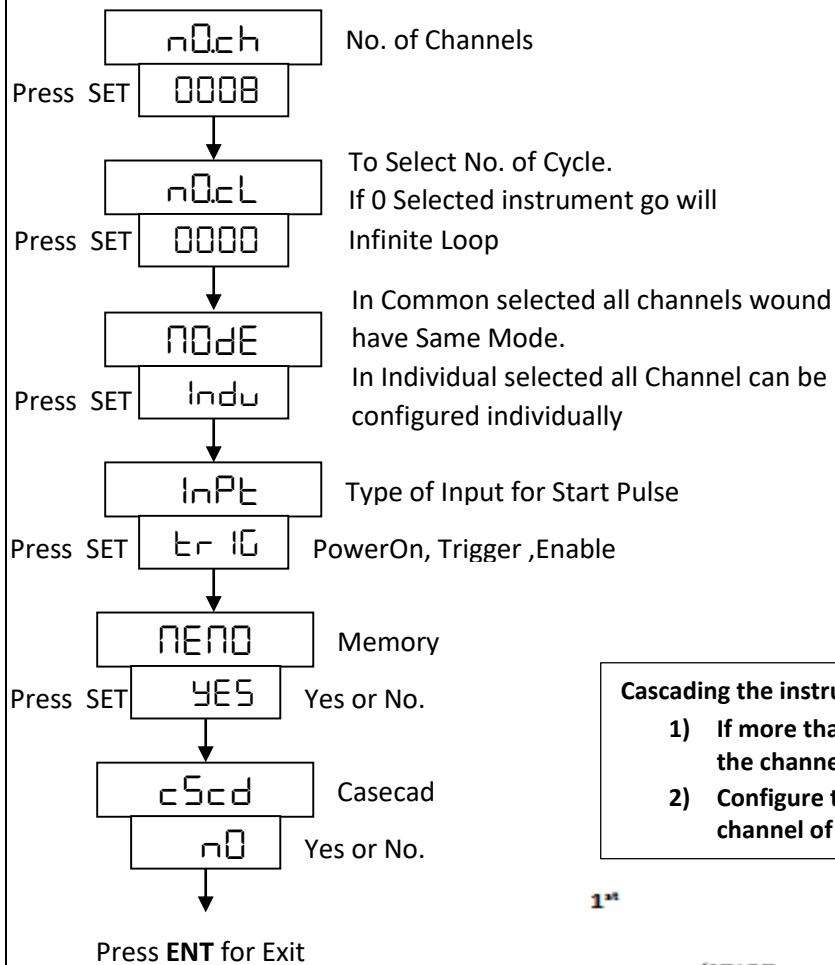
### Connection Diagram:



## Menu-2 [PRESS SET+SHIFT KEY]



## Menu-3 [PRESS SHIFT KEY+POWER ON]



### Cascading the instruments:

- 1) If more than 8 Channels needed than we can extend the channels by cascading the second instrument.
- 2) Configure the 2nd instrument's input as Trigger & 1st channel of 2nd instrument will work as 9th channel.

