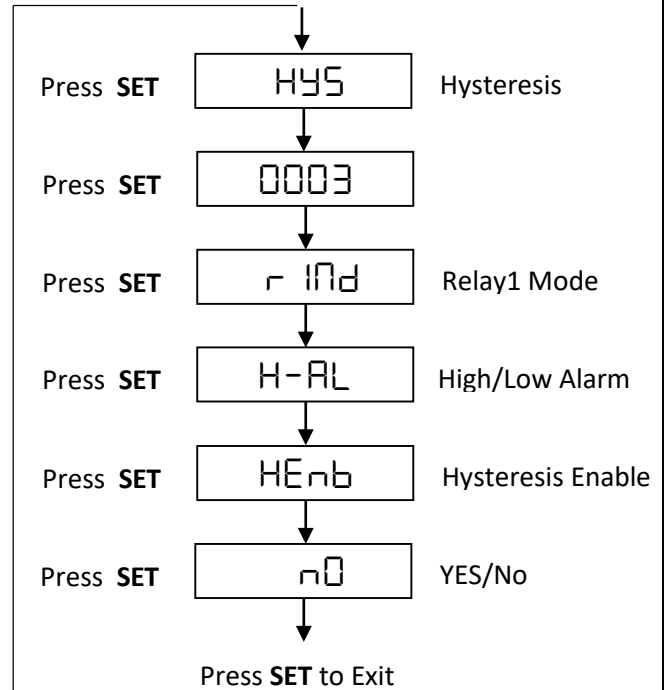
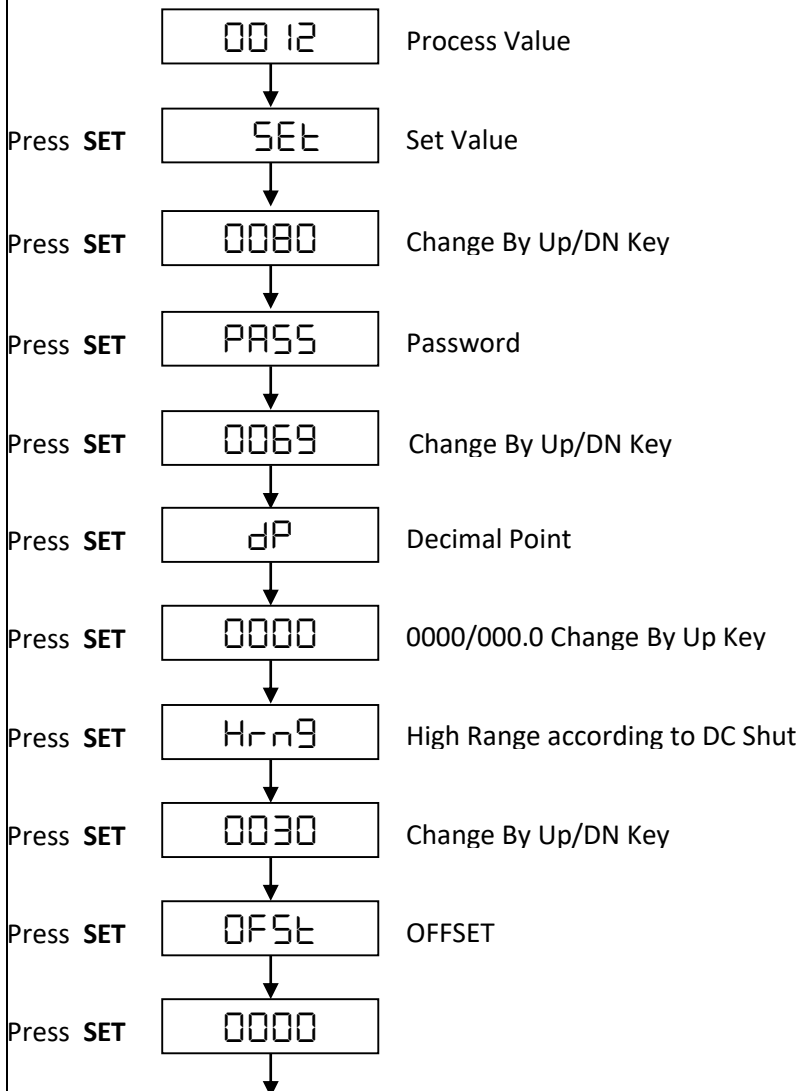


**Technical Specification:**

Model	DAM 9613	DTC 7213	DTC 4913	DTC 4813
Size(HxWxD)	96 X 96 X 42 mm	72 X 72 X 60 mm	48X 96 X 85 mm	48X48X95
Panel Cut-out	92 X 92	68x68	44X92	44X44
Display	4 Digit 7 seg 0.56",Red LED Display			4 Digit 7 seg 0.32",Red
Input	75 mV DC (Range 1-9999)			
Action	ON-OFF			
Output	1 Relay 230V AC,5A			
Supply	230V AC, 50 / 60 Hz, Approx. 4VA			
Protection Level	IP-65(Front side) AS per IS/IEC 60529:2001			
Operating Temperature	0°C To 55°C		Relative Humidity	Up to 95% RH Non Condensing

**Parameter Menu:**



**IF Hysteresis Enable=YES (Auto Mode)**

**Low Alarm Mode:**

Initially Relay will be on condition. When Process value equals to Set Point Relay will turn off. When Process value equal to Set Point- Hysteresis then again Relay will be on.

**High Alarm Mode:**

Initially Relay will be off condition. When Process value equals to Set Point Relay will turn on. When Process value equal to Set Point- Hysteresis then again Relay will turn off.

**IF Hysteresis Enable=NO (Manual Mode)**

**Low Alarm Mode:**

Initially Relay will be on condition. When Process value equals to Set Point Relay will turn off. (**Press Up** Key 5 sec. for Reset)

**High Alarm Mode:**

Initially Relay will be off condition. When Process value equals to Set Point Relay will turn on. (**Press Up** Key 5 sec. for Reset)