

Technical Specification:

Model	CC-4000		
Size (HxWxD)	36x72x76		
Panel Cut-out	29x66		
Display	3 Digit Red Seven Segment Display (0.56")		
Input	NTC thermistor (-9.9 °C to 80.0 °C or -40°C to 80°C)		
Output	1-Relay (230V AC-12A or 20A)		
Supply	230V AC, 50 / 60 Hz, Approx. 3VA		
Protection Level	IP-65(Front side) AS per IS/IEC 60529:2001		
Operating Temperature	0°C To 55°C	Relative Humidity	Up to 95% RH Non Condensing

Key Operations:

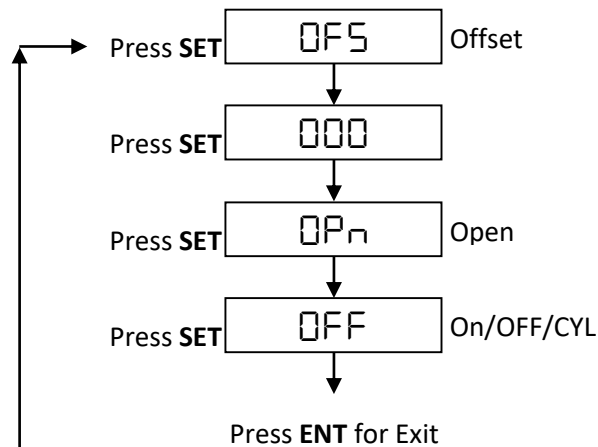
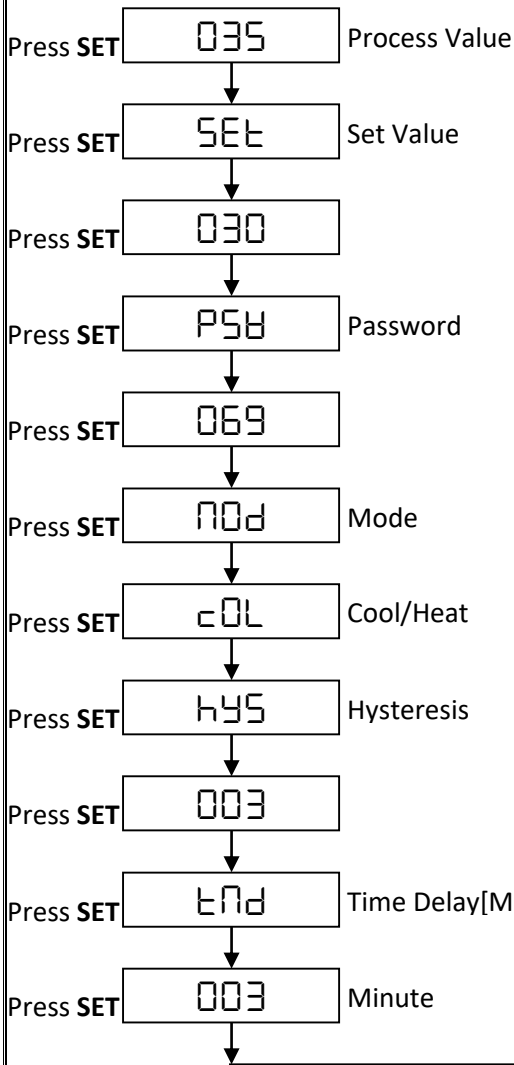
- Press **SET** Key to enter in programming mode.
- Press **SET** Key to go to next parameter.
- Use **Up Or Down** key to change value of parameter.
- Press **ENT** Key to save change in setting

Password:

69- Basic Configuration

54- Control Parameter

Basic Configuration:



OPEN (OPN)

- Sensor open or Break
- Sensor is not connected

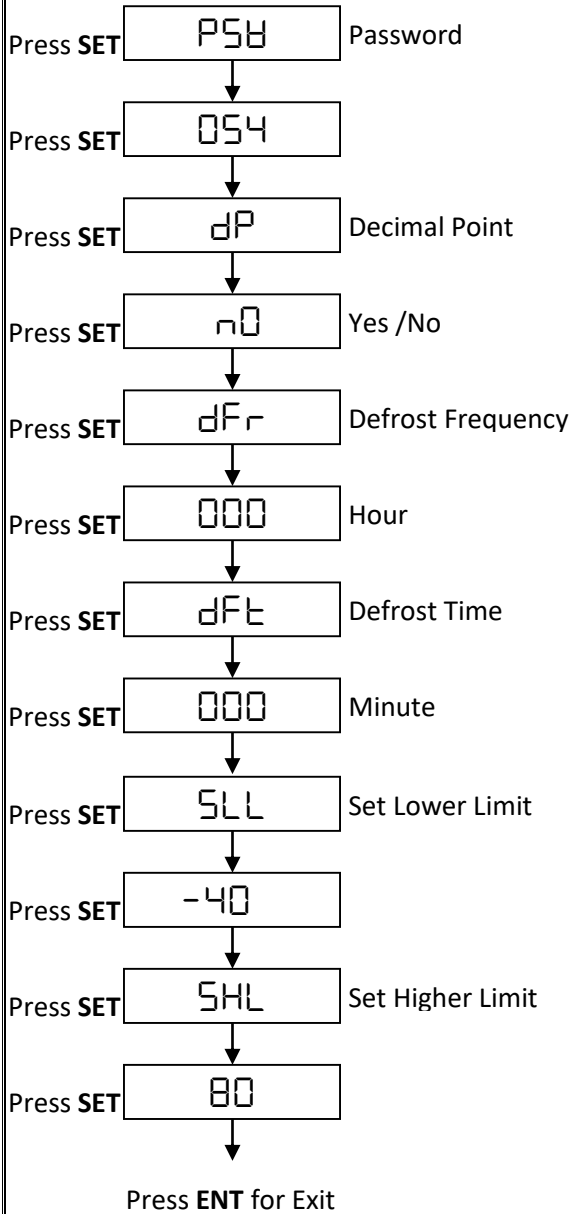
"OPN" have 3 selection of "ON/OFF/CYL"

ON: In case of sensor break than Relay will be continuous on.
 OFF: In case of sensor break than Relay will be continuous off.
 CYL: In case of sensor break than Relay operate in cycle of 10 min On & 4 min Off.

Manual Mode

Press UP+DN Key for 5 second, the instrument goes in manual defrost mode and Display Shows "OFF" message. Press UP+DN Key again for normal Mode.

Control Parameter:



DFR & DFT Modes:(Only for Cool Mode)

DFR (in Hour) and DFT (in Minutes) specifies Defrost rate and Defrost time respectively.

Ex. If DFR is set to 1 and DFT is set to 10, after 1 hour power applied to instrument, defrost will take place for 10 minute, this cycle repeat after every 1 hour.

“DFM” will be shown for 1 sec. & temperature will be shown for 1 sec. this cycle will repeat until defrost time not completed.

Parameter	DP=YES	DP=No
Hysteresis	0.1 to 20.0	1 to 20
Offset	-9.0 °C to 10.0°C	-10°C to 10°C
Set Lower Limit	-9.0 °C to 80.0°C	-40 °C to 80°C
Set Higher Limit	-9.0 °C to 80.0°C	- 40 °C to 80°C